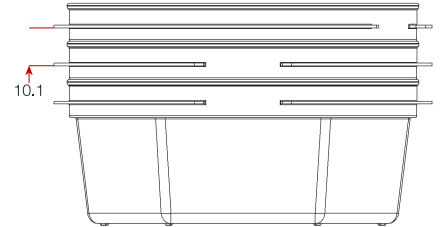
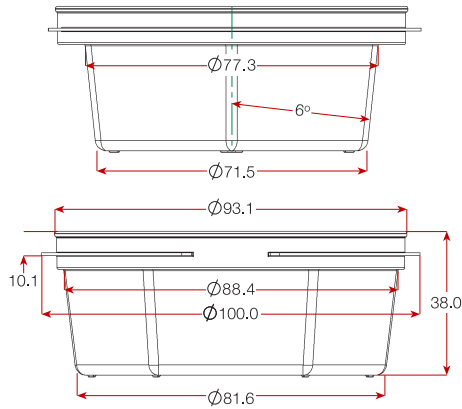
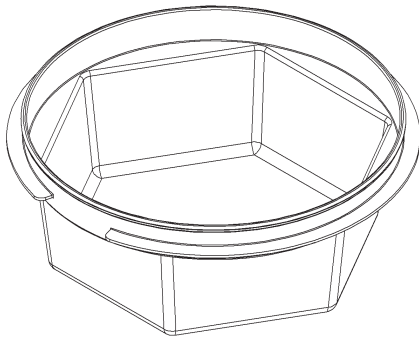


# Technical Data Sheet

## T135 - Tub, 190/93 NMTE

**PRODUCT DIMENSIONS (mm)**



<b>SHAPE</b>	Hexagonal		
<b>LID OPTIONS</b>	<b>Lid</b>	<b>Closure type</b>	<b>Seal integrity</b>
	L002 - 93 mm SAP	Plug-fit	High integrity
	L036 - 93 mm SL	Plug-fit	Medium integrity
	L098 - 93 mm Overlid	Overlid	Overlid
	L130 - 93 mm ROL	Overlid (raised)	Overlid
<b>VOLUME (typical values)</b>	<b>Brimfull</b>	190 ml	without any headspace
	<b>Underlid L002</b>	165 ml	without any headspace
	<b>Underlid L036</b>	160 ml	without any headspace
	<b>Underlid L098</b>	190 ml	without any headspace
	<b>Underlid L130</b>	190 ml	without any headspace

<b>TAMPER EVIDENCE</b>	Can be used with membrane seal/foil. Internal process trials should be undertaken to verify suitability for intended use.
------------------------	---

<b>HANDLE</b>	Not available
---------------	---------------

<b>HEIGHT (typical values)</b>	With lid L002	40.1 mm
	With lid L036	38.9 mm
	With lid L098	42.1 mm
	With lid L130	45.0 mm

<b>WEIGHT (typical values)</b>	Tub	10.4 g
	Lid L002	8.2 g
	Lid L036	4.3 g
	Lid L098	4.3 g
	Lid L130	5.4 g

<b>PACKING</b>	No. per carton	600		
	Carton size	510 mm L x 415 mm W x 350 mm H (0.074 m <sup>3</sup> )		
	Carton weight when full	6.5 kg +/- kg		
	Carton liner	Polypropylene (blue)		
	Stack sleeve	Polypropylene.		
	<b>Pallet Specifications</b>	<b>Export</b>	<b>South Island</b>	<b>North Island</b>
	Cartons per pallet	24	30	18
	Quantity per pallet	14,400	18,000	10,800
	Pallet dimensions	1000 mm x 1200 mm	1100 mm x 1300 mm	1100 mm x 1300 mm
	Height including pallet	2.25 m	1.90 m	1.20 m
	Cubic metres (incl. pallet)	2.70 m <sup>3</sup>	2.72 m <sup>3</sup>	1.72 m <sup>3</sup>

<b>RAW MATERIAL</b>	PP (polypropylene) All of Tecpak's products are made from plastic polymers in grades that are suitable for food packaging and comply with US regulations FDA Title21, CFR Part 177 1520 for Olefin Polymers and/or EU Directive 2002/72/EEL.
---------------------	---

<b>ENVIRONMENTAL</b>	The material used in this product is recyclable. Local authorities should be contacted for information on curbside collection.
----------------------	--

<b>COLOURS</b>	Natural, Clear, White. Other colours available on request.
----------------	--

<b>DECORATION OPTIONS</b>	In Mould Labelling ( <i>see separate IML specifications for this product</i> ).
---------------------------	---

<b>QUALITY</b>	Tecpak Industries Limited is certified to ISO9001:2000.
----------------	---

<b>FOOD SAFETY</b>	Tecpak Industries Limited is certified to ISO22000:2005 Food Safety Management Systems.
--------------------	---

<b>PERFORMANCE</b>	<p><b>Hot Filling</b> The maximum fill temperature is 85°-95° C. Internal process trials should be undertaken to determine the viability of this product for the intended use.</p> <p><b>Freezing</b> The standard resin used for natural, white and coloured products will resist temperatures down to -20°C. Deep freezing below this temperature may require a special resin available on request. The standard resin used for clear products may become brittle at temperatures below 0° C. Internal process trials should be undertaken to determine the viability of this product for the intended use.</p> <p><b>Re-heating</b> This product may be microwaved. Internal process trials should be undertaken to determine the viability of this product for the intended use.</p> <p><b>Shelf Life</b> The compliance of the product to the technical specifications in this data sheet is guaranteed for 12 months after the date of delivery subject to suitable storage.</p> <p><b>Stacking (empty).</b> Ideally pallets should be stacked no more than two high.  <b>Stacking (full).</b> It is recommended that this product be packed into self supporting trays or cardboard boxes. Internal process trials should be undertaken to determine the viability of free-standing stacking and transportation.</p> <p><b>Other</b> Resins used are dishwasher safe and are designed for re-usability.</p> <p><b>In all cases internal trials should be undertaken to determine the suitability of the packaging through all stages of the process.</b></p>
--------------------	---